

DESCRIPTION

AMC MODEL MSN-4DT-05-311-HI90DB IS AN ABSORPTIVE/NON-REFLECTIVE SINGLE POLE FOUR THROW SWITCH DESIGNED TO OPERATE BETWEEN THE 3 TO 11 GHz FREQUENCY RANGE WITH LOW INSERTION LOSS AND HIGH ISOLATION.

SPECIFICATIONS

- FREQUENCY RANGE: 3 TO 11 GHz
- INSERTION LOSS: 4 dB MAXIMUM
- ISOLATION: 90 dB MINIMUM
- VSWR (ON/OFF): 2.0:1
- RISE TIME: 10 nSec TYPICAL, 15 nSec MAXIMUM
- FALL TIME: 10 nSec TYPICAL, 15 nSec MAXIMUM
- DELAY ON: 75 nSec TYPICAL, 100 nSec MAXIMUM
- DELAY OFF: 75 nSec TYPICAL, 100 nSec MAXIMUM
- POWER INPUT: (CW)+20 dBm (STANDARD), +10 dBm (HIGH SPEED)
- SURVIVAL POWER: 1 WATT CW, 10 WATTS PEAK 1 uSec
- CONTROL: TTL LOGIC "0" = ON
TTL LOGIC "1" = OFF
- POWER SUPPLY: +5V @ 200 mA MAXIMUM
-5V @ 100 mA MAXIMUM
- CONNECTORS:
RF: SMA FEMALE
CONTROL: SOLDER PIN
- SIZE: 2.00" (L) x 1.50" (W) x 0.40" (H)

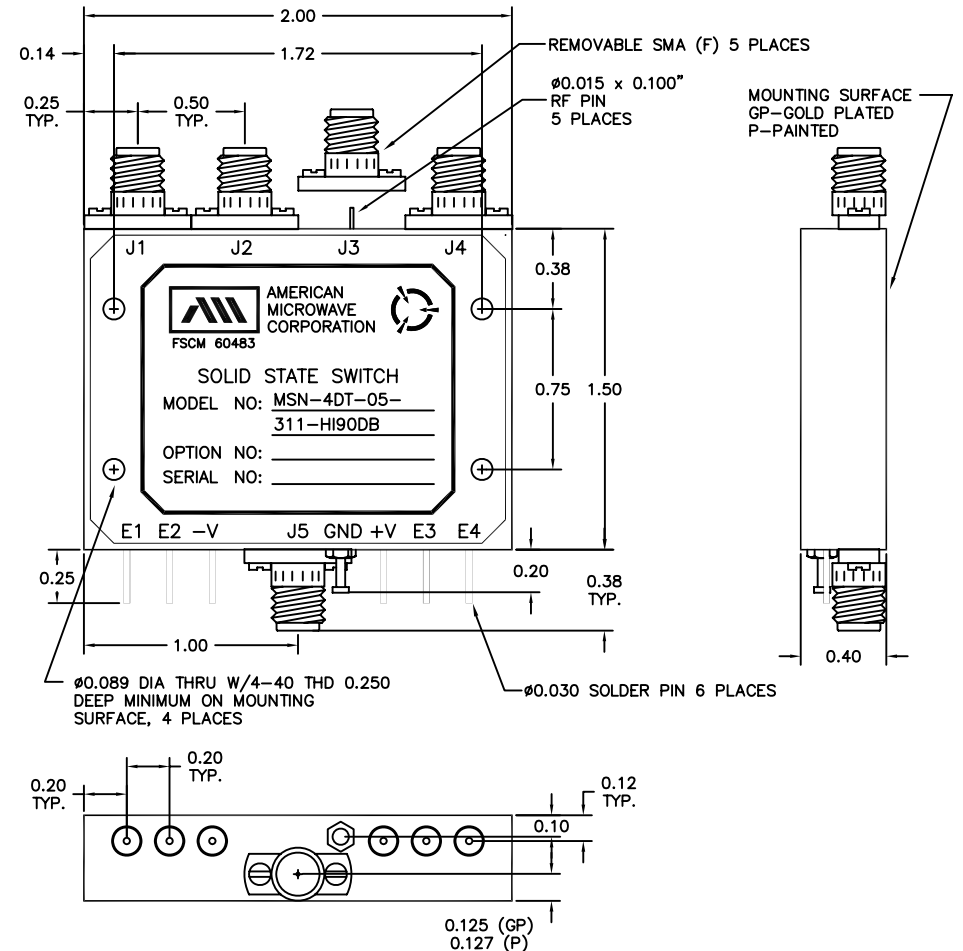
ENVIRONMENTAL RATINGS:

- TEMPERATURE: -55°C TO +85°C (OPERATING)
-65°C TO +125°C (STORAGE)
- HUMIDITY: MIL-STD-202F, METHOD 103B COND. B
- SHOCK: MIL-STD-202F, METHOD 213B COND. B
- VIBRATION: MIL-STD-202F, METHOD 204D COND. B
- ALTITUDE: MIL-STD-202F, METHOD 105C COND. B
- TEMPERATURE CYCLE: MIL-STD-202F, METHOD 107D COND. A

NOTE: SPECIFICATIONS WILL VARY OVER OPERATING TEMPERATURE
NOTE: THE ABOVE SPECIFICATIONS ARE SUBJECT TO CHANGE OR REVISION

ALL DIMENSIONS ARE IN INCHES
TOLERANCES:
X.XX ±0.020
X.XXX ±0.010

REVISIONS				
ZONE	REV.	DESCRIPTION	DATE	APPROVED
	-	ORIGINAL RELEASE JOB# 410260	3/7/05	



AMERICAN MICROWAVE CORPORATION

7311-G GROVE ROAD
FREDERICK, MARYLAND 21704 USA
TEL: 301-662-4700 FAX: 301-662-4938
WEBSITE: www.americanmicrowavecorp.com
E-MAIL: sales@americanmicrowavecorp.com
ISO 9001:2000 CERTIFIED

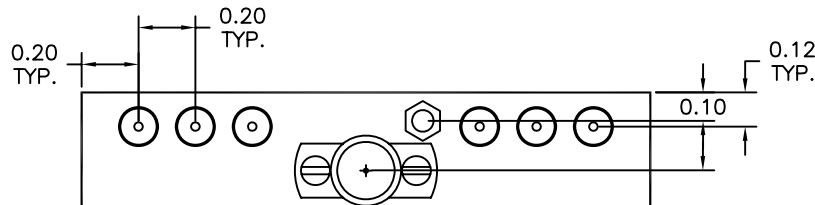
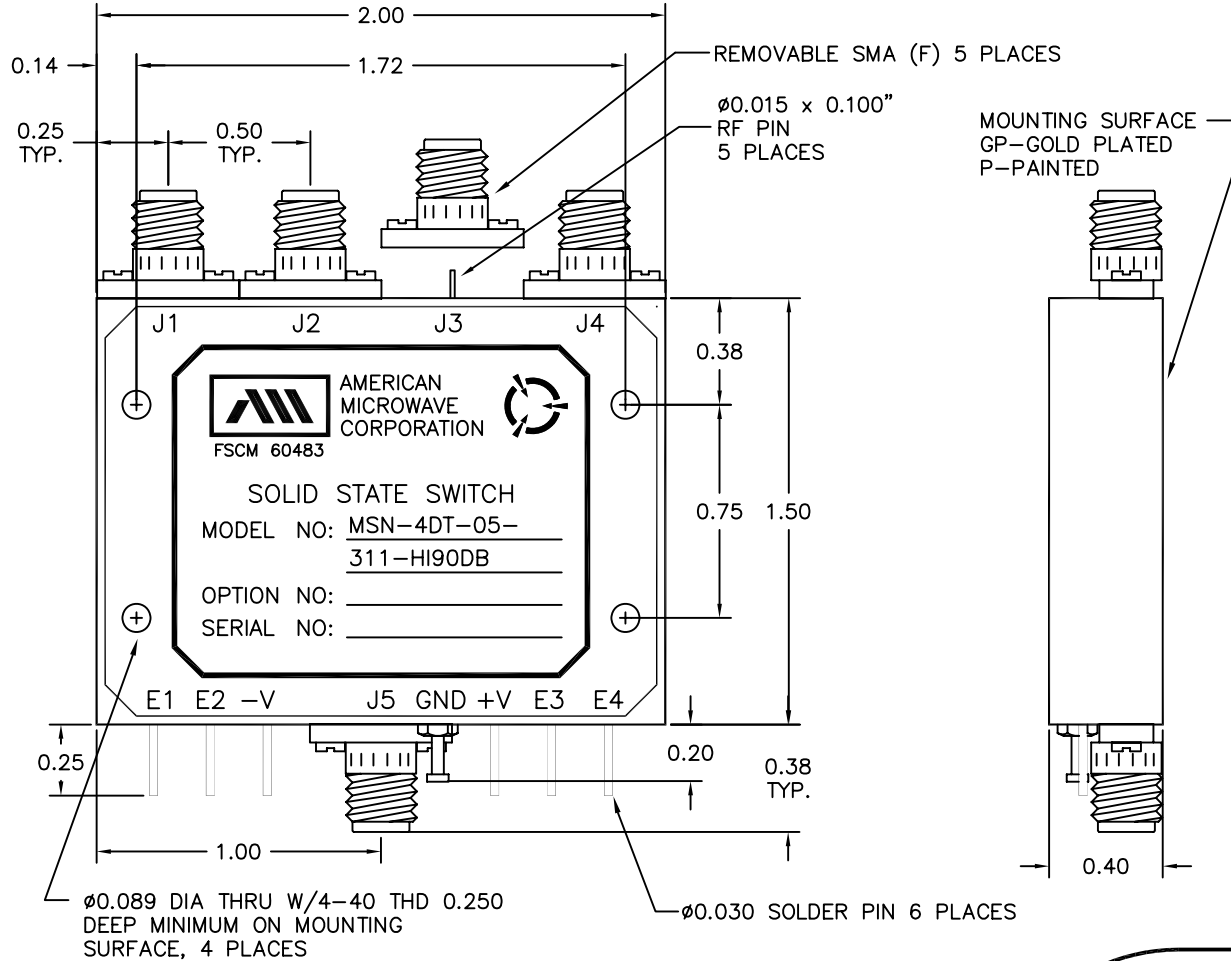


APPROVALS		DATE	TITLE		
DRAWN <i>JDJ</i>		3/7/05	PRODUCT FEATURE		
CHECKED <i>RA</i>		07/31/06	MSN-4DT-05-311-HI90DB		
ISSUED			SIZE	FSCM NO.	DWG NO.
			A	60483	100-7377
			SCALE N:S		SHEET 1 OF 4

DESCRIPTION

AMC MODEL MSN-4DT-05-311-HI90DB IS AN ABSORPTIVE/NON-REFLECTIVE SINGLE POLE FOUR THROW SWITCH DESIGNED TO OPERATE BETWEEN THE 3 TO 11 GHz FREQUENCY RANGE WITH LOW INSERTION LOSS AND HIGH ISOLATION.

REVISIONS				
ZONE	REV.	DESCRIPTION	DATE	APPROVED
	-	ORIGINAL RELEASE JOB# 410260	3/7/05	



ALL DIMENSIONS ARE IN INCHES
TOLERANCES:
X.XX ±0.020
X.XXX ±0.010

AMERICAN MICROWAVE CORPORATION

7311-G GROVE ROAD
FREDERICK, MARYLAND 21704 USA
TEL: 301-662-4700 FAX: 301-662-4938
WEBSITE: www.americanmicrowavecorp.com
E-MAIL: sales@americanmicrowavecorp.com
ISO 9001:2000 CERTIFIED



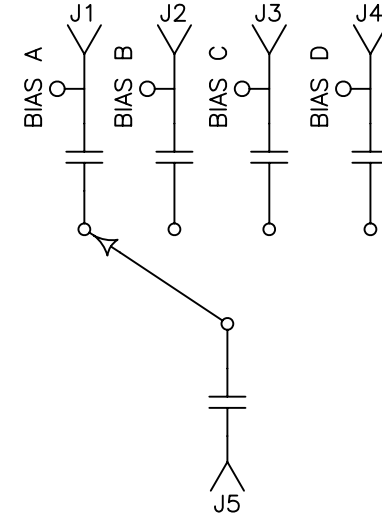
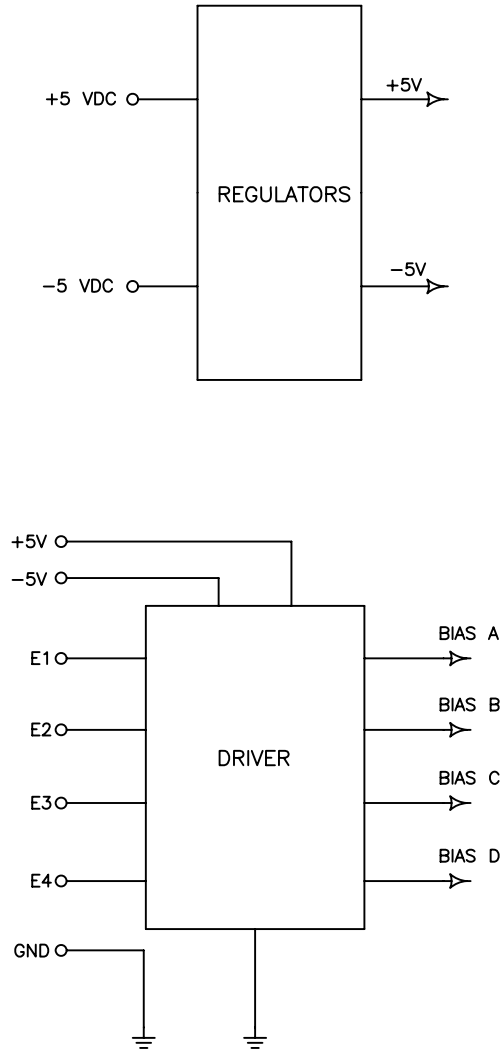
APPROVALS		DATE	TITLE		
DRAWN <i>JDJ</i>		3/7/05	MECHANICAL OUTLINE		
CHECKED <i>RA</i>		07/31/06	MSN-4DT-05-311-HI90DB		
ISSUED			3 - 11 GHz, SINGLE POLE FOUR THROW SWITCH		
SIZE	FSCM NO.	DWG NO.	REV.		
A	60483	100-7377	-		
SCALE N:S		SHEET		2 OF 4	

DESCRIPTION

AMC MODEL MSN-4DT-05-311-HI90DB IS AN ABSORPTIVE/NON-REFLECTIVE SINGLE POLE FOUR THROW SWITCH DESIGNED TO OPERATE BETWEEN THE 3 TO 11 GHz FREQUENCY RANGE WITH LOW INSERTION LOSS AND HIGH ISOLATION.

REVISIONS				
ZONE	REV.	DESCRIPTION	DATE	APPROVED
	-	ORIGINAL RELEASE JOB# 410260	3/7/05	

FUNCTIONAL BLOCK DIAGRAM



CONFIDENTIAL AND PROPRIETARY

AMERICAN MICROWAVE CORPORATION

7311-G GROVE ROAD
 FREDERICK, MARYLAND 21704 USA
 TEL: 301-662-4700 FAX: 301-662-4938
 WEBSITE: www.americanmicrowavecorp.com
 E-MAIL: sales@americanmicrowavecorp.com
 ISO 9001:2000 CERTIFIED



APPROVALS		DATE	TITLE		
DRAWN <i>JDJ</i>		3/7/05	FUNCTIONAL BLOCK DIAGRAM		
CHECKED <i>RA</i>		07/31/06	MSN-4DT-05-311-HI90DB		
ISSUED			3 - 11 GHz, SINGLE POLE FOUR THROW SWITCH		
SIZE	FSCM NO.	DWG NO.	REV.		
A	60483	100-7377	-		
SCALE N:S		SHEET		3 OF 4	